

## : turning

Production turning for 2-Axes > MTM machines

Edgecam Turning provides functionality for a wide range of machine tools, including 2-Axis lathes, multi-turret configurations, sub-spindle turning centres and mill/turn machines. On a mill/turn machine, C-, Y- and B-Axis milling and drilling take place within the same program as the turning to provide a fully integrated and associative programming solution.

Edgecam produces advanced rough and finish turning cycles, together with support for facing, boring and drilling in either canned cycle or longhand format. Toolpath calculation takes into consideration the complete tooling insert and tool Holder including the "F" distance and previously machined material to avoid gouging and eliminate air cutting.

Ease of use and an understanding that cycle times are critical, especially on multi-configuration mill/turn machines, underpin the development of Edgecam's turning functionality.

Edgecam offers support for Sandvik Coromant Wiper inserts for turning tools, allowing these productivity enhancing inserts to be used reliably in all aspects of production machining.

### Update stock

Edgecam has the ability to keep the stock updated live within the sequence tree. The stock model is rest material, or material that hasn't been machined. Subsequent toolpaths will automatically detect the rest material resulting in 100% efficiency for any turning toolpath throughout the Edgecam sequence. Update stock is supported from the most basic 2 axis turning centre, right through to a CYB multi turret sub spindle Mill / Turn.

When back turning into a recess or groove it's important that the back turning cycle knows the current condition of stock to avoid air cutting and potential collisions on the approach into the recessed area.

On a sub spindle turning centre, when a component is transferred from the main spindle to the sub spindle, the live stock transfers with it. Any subsequent machining on the sub spindle will detect the stock in the state that it left the main spindle which ultimately provides the most efficient machining sequence possible.

### Collision Detection / Simulation

It is imperative that not just the tool in contact with material is checked for collisions, but also tools that are not in use on a turret. Most turning centres offer a relatively small working envelope that can be collision rich. A good example of this is on static turrets where tools such as boring bars, can extend out further than the tool in cut.

Edgecam will not only collision check the tool in cut but also all of the tools on the turret against the machine tool kinematics, fully supporting Mini Turrets, capto tooling and programmable steadies.

Increase machine tool utilisation

Reduced programming time

Reduce component cycle time

Eliminate programming errors and reduce potential scrap

Reduce machine tool prove out by graphically simulating the tool path

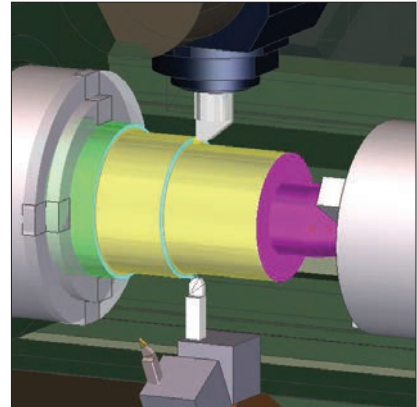
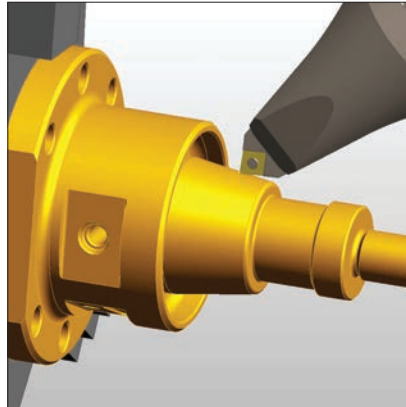
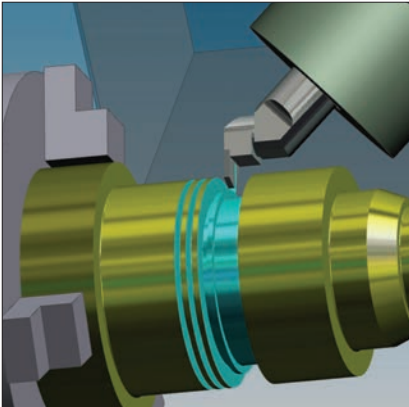
Avoid collisions and expensive damage to machine tool

Full support for canned cycles

Reduce tooling inventory and stock



Edgecam fully supports all axis configurations from the most basic 2 axis turning centre, right through to a CYB multi turret sub spindle Mill / Turn



### Swarf Clearance

When machining inside a bore, loose material can build up around the insert which can result either result in insert failure or severely decreased tool life. Edgecam will allow you to retract tool out of a bore or away from a diameter after a set numbers of cuts. The user can retract the tool mid cycle, to a known position, after a set number of cuts to clear any loose material out of the bore.

### Sub spindles

Edgecam fully supports turning centres with a sub spindle & twin turrets, including :

- Bar pull
- Bar feed
- Part pick and return
- Running in conjunction with the main spindle

Twin turret support for both single and twin spindle lathes including :

- Balanced turning
- Z lag options improving metal removal
- Mirrored turning
- Turret synchronisation and simulation

### Cycle control

#### Individual Element offsets

Edgecams turning cycles offer the ability to specify offsets to individual turned diameters, bores, grooves and faces. This function is useful where a turned component needs some elements to be finished turned, and others to be left a grinding allowance for subsequent machining or heat treatment.

Most systems on the market today will only allow you to set a constant offset, where as Edgecam gives the user full control over offsets for each individual element on the turn feature.

#### Break Edges

Sub contract machinist do not always have the ability to go back to their client to ask them to revise the design to include the chamfers or break edges, even though they have been asked for on the engineering drawing. Edgecam turning cycles offer the machinist the ability to specify a break edge where a chamfer hasn't been included on the model supplied to them by their client.

#### Down Cutting

This function within the finish turning cycle alternates the cut direction on the finish turn profile so the tool is always down cutting or it never drags up the face. This give the enhanced tool life and achieves a superior surface finish.

### Sequential Castellation grooving

Traditional grooving cycles wear the tool on one side after the initial full width cut. With Sequential Castellation grooving, the tool starts at one groove edge and moves to the other edge, producing full width cuts.

It then goes back and removes the 'rings' left behind by the first cutting pass. This ensures that the load on the grooving tool is on the front of the tool, opposed to the sides. It also ensures even wear on the insert.

### Rough Turn Sectioning

To keep the tool push off on a long diameter to a minimum, Edgecam have developed a section strategy where the user can break the rough turn cycle into sections. The user sets a Z break distance and the roughing cuts are divided into short sections.

### Rough turn Variable cut Depth

This function is to Prevent notches wearing into the tool. Cuts are alternately 'ramped' then 'normal'. During the ramped cuts the cut depth gradually reduces to zero. The next cut (which will be 'normal' and starts at the same cut advance) then removes the leftover ramp. If a ramped cut is interrupted by the profile, it follows the profile until it re-joins its ramped path.

### Vero Software Limited

Suite A  
11Sunrock Close  
Sunnyrock  
Germiston  
1609

tel. +27 11 663 2600  
email. info@stillam.com  
web. www.stillam.com

edgcam